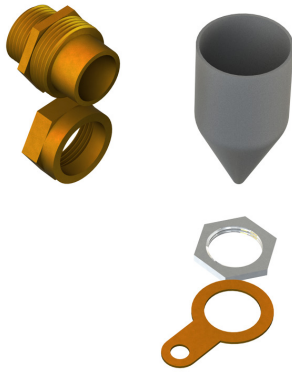


PRODUCT CODE: BW50
CABLE GLAND KIT



DESCRIPTION

50mm Cable Gland Kit

FINISH

Self Colour

MATERIAL

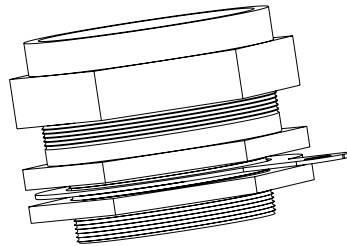
Brass

PACKAGING

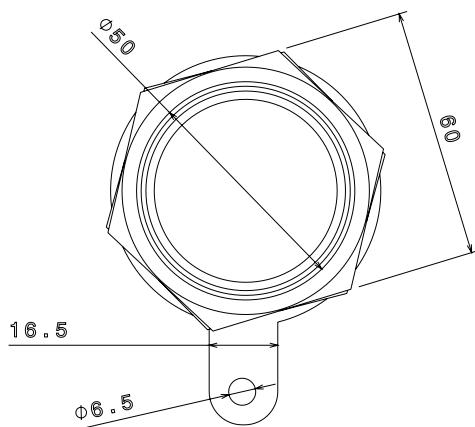
Packed in qty 1

ADDITIONAL NOTES

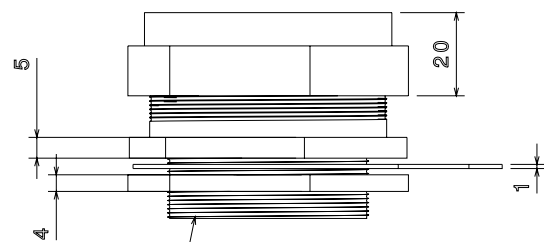
Conforms to BS EN61386-1
Designed for internal applications
Kit comprises; 1 x gland, 1 x shroud, 1 x tag and 1 x locknut



Isometric view



Top view



50mm Thread Side view